

	70106			
	15806256362			215228
			K7010	
	70106			
			[2011] 170	2011 3 7
			[2009]984	2009 11 10
	/			/
	30000		200	0.67%
	30000		200	0.67%
m²	70106			2011.06
m²	51466.9			2016.9
	/			

	1	2009	11	10						70106
									[2009]984	
	2	2011	2							
									70106	
	3	2011	3	7						
									[2011]170	
	4	2009	10	10						
									320584200902162	
	5	2009	11	18						
									320584200911180401	
	6	2011	4	21						
									2# 3# 23# 1# 2#	
									320584201102054	
	7	2011	7	6						
									2# 3#	
									2# 3#	
									3205842011070060301	
	8	2009	11	18						
									5#~16#	
									320584200902169	
	9	2009	11	18						
									5#~16#	
									320584200911180501	
	10	2016	9							
									70106	
									(
										13
)	

	<p>HJ/T394-2007</p> <p>300m</p> <p>1m 200m</p>				
	<p>LeqA</p> <p>CODcr</p> <p>SS</p>				
2	<p>2-1</p> <p>300</p>				
			m		
			20	5	GB3095 1996
			159	35	
			141	30	
			1000		GB3838-2002 IV
			86		
			20	5	

				159	35	GB3096-2008 2
				141	30	
				5700		
	1					
	2					
	3					
	4					
	5					

	70106						
1	(GB3095-2012)						
	3-1						
	3-1						
	(GB3095-2012)	1	SO ₂	3	500	150	60
			PM ₁₀		150	70	
			PM _{2.5}		75	35	
			NO ₂		200	80	40
2							
	3-2						
	3-2						
	GB3838-2002	1	pH	--	6 9		
			NH ₃ -N	mg/L			
			COD	mg/L			
			P	mg/L	10		
			SL63-94	3.0.1-1	SS	mg/L	60
3							
	GB3096-2008						
2	3-3						
	3-3						
	GB3096-2008	2	dB A	60	50		

1

GB16297-1996

(GB18352.3-2005)III

3-4

	GB16297-1996	2		
	GB18352.3-2005	III 1		15g/km.
				1.8g/km.
				0.9g/km.

2

GB8978-1996

4

CJ343 2010

3-5

3-5

	GB8978-1996	4	pH		6 9
			COD	mg/L	500
			SS		400
	CJ343-2010	1 B		mg/L	45
					70
					8
	(DB32/1072-2007)	2	pH		6 9
			COD	mg/L	50
			*		5(8)
					15
					0.5

1

(GB18918-2002)

A

3-6					
1m	(GB12348-2008)	2	dB A	60	50
(GB12523-2011)					
3-7					
GB12523-2011	1	dB A	70	55	
3000m ³ /a					
CODCr0.9t/a NH ₃ -N0.09t/a TP0.009t/a TN0.15t/a SS0.6t/a					

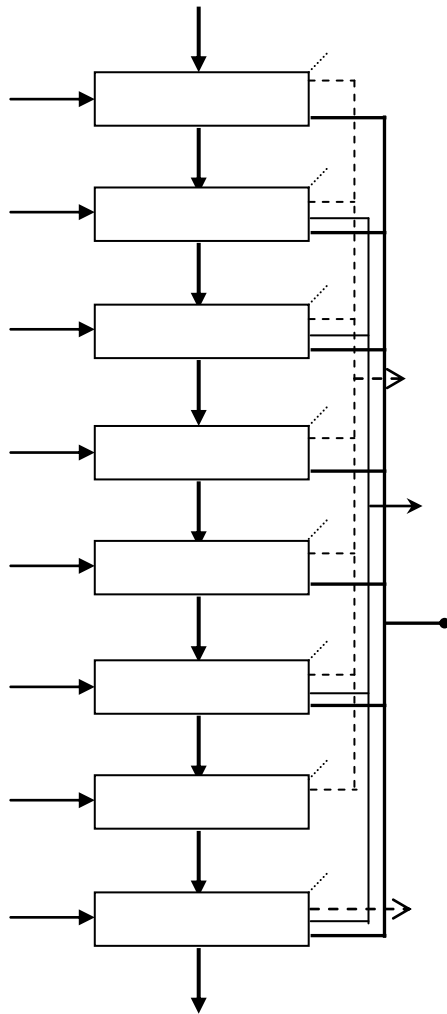
	70106																																																																																																																																																																																																																																																							
	70106																																																																																																																																																																																																																																																							
						51466.9m ²	77.2																																																																																																																																																																																																																																																	
	30000		70106m ²																																																																																																																																																																																																																																																					
	3	4	1		18	1	5	2	5	9	10																																																																																																																																																																																																																																													
6			4-1																																																																																																																																																																																																																																																					
	4-1																																																																																																																																																																																																																																																							
	<table border="1" style="width: 100%; border-collapse: collapse;"> <tr> <td colspan="11"></td> </tr> <tr> <td colspan="11" style="text-align: right;">51466.9m²</td> </tr> <tr> <td colspan="11" style="text-align: right;">70106m²</td> </tr> <tr> <td style="width: 5%;"></td> <td colspan="10" style="text-align: right;">66238.95m²</td> </tr> <tr> <td></td> <td style="width: 5%;"></td> <td style="width: 5%;"></td> <td style="width: 5%;"></td> <td style="width: 5%;"></td> <td style="width: 5%;"></td> <td style="width: 5%;"></td> <td style="width: 5%;"></td> <td style="width: 5%;"></td> <td style="width: 5%;"></td> <td style="width: 5%;"></td> <td style="width: 5%;"></td> </tr> <tr> <td></td> <td></td> <td></td> <td style="text-align: center;">1</td> <td colspan="8"></td> </tr> <tr> <td></td> <td></td> <td></td> <td style="text-align: center;">2</td> <td colspan="8"></td> </tr> <tr> <td></td> <td></td> <td></td> <td style="text-align: center;">3</td> <td colspan="8"></td> </tr> <tr> <td></td> <td></td> <td></td> <td style="text-align: center;">4</td> <td colspan="8"></td> </tr> <tr> <td></td> <td></td> <td></td> <td style="text-align: center;">5</td> <td style="text-align: center;">9</td> <td style="text-align: center;">10</td> <td colspan="5"></td> </tr> <tr> <td></td> <td></td> <td></td> <td colspan="3"></td> <td colspan="5" style="text-align: right;">138.76m²</td> </tr> <tr> <td></td> <td></td> <td></td> <td colspan="3"></td> <td colspan="5" style="text-align: right;">3867.05m²</td> </tr> <tr> <td></td> <td></td> <td></td> <td colspan="8" style="text-align: right;">18013.4m²</td> </tr> <tr> <td></td> <td></td> <td></td> <td colspan="8" style="text-align: right;">1.36</td> </tr> <tr> <td></td> <td></td> <td></td> <td style="text-align: center;">1</td> <td colspan="6"></td> <td style="text-align: center;">18</td> <td></td> </tr> <tr> <td></td> <td></td> <td></td> <td colspan="8" style="text-align: right;">22.5</td> </tr> <tr> <td></td> <td></td> <td></td> <td colspan="8" style="text-align: right;">35</td> </tr> <tr> <td></td> <td></td> <td></td> <td colspan="8" style="text-align: right;">140</td> </tr> <tr> <td></td> <td></td> <td></td> <td colspan="8" style="text-align: right;">40</td> </tr> <tr> <td></td> <td></td> <td></td> <td colspan="8" style="text-align: right;">180</td> </tr> <tr> <td></td> <td></td> <td></td> <td colspan="8" style="text-align: right;">11580m²</td> </tr> </table>																						51466.9m ²											70106m ²												66238.95m ²																									1												2												3												4												5	9	10												138.76m ²											3867.05m ²								18013.4m ²											1.36											1							18					22.5											35											140											40											180											11580m ²							
51466.9m ²																																																																																																																																																																																																																																																								
70106m ²																																																																																																																																																																																																																																																								
	66238.95m ²																																																																																																																																																																																																																																																							
			1																																																																																																																																																																																																																																																					
			2																																																																																																																																																																																																																																																					
			3																																																																																																																																																																																																																																																					
			4																																																																																																																																																																																																																																																					
			5	9	10																																																																																																																																																																																																																																																			
						138.76m ²																																																																																																																																																																																																																																																		
						3867.05m ²																																																																																																																																																																																																																																																		
			18013.4m ²																																																																																																																																																																																																																																																					
			1.36																																																																																																																																																																																																																																																					
			1							18																																																																																																																																																																																																																																														
			22.5																																																																																																																																																																																																																																																					
			35																																																																																																																																																																																																																																																					
			140																																																																																																																																																																																																																																																					
			40																																																																																																																																																																																																																																																					
			180																																																																																																																																																																																																																																																					
			11580m ²																																																																																																																																																																																																																																																					
	3		1	18	1	5	2	5	9	10	6																																																																																																																																																																																																																																													
	53981.62m ²		49975.81 m ²				3867.05 m ²																																																																																																																																																																																																																																																	
	4																																																																																																																																																																																																																																																							

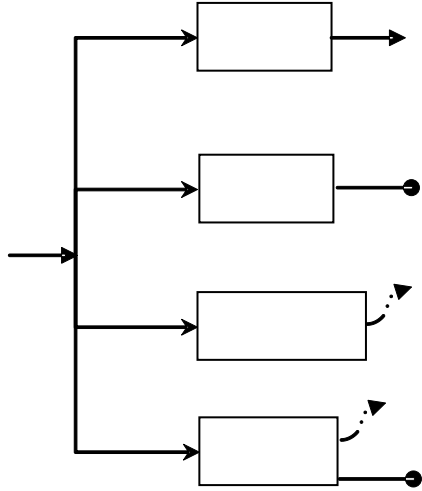
4-2

	51466.9m ²	51466.9m ²	
	70106m ²	53981.62 m ²	16124.38 m ²
	66238.95m ²	50114.57 m ²	16124.38 m ²
	3867.05m ²	3867.05m ²	
	1.36	0.97	
	35	38.4%	3.4%

70106m²53981.62m²16124.38m²

4





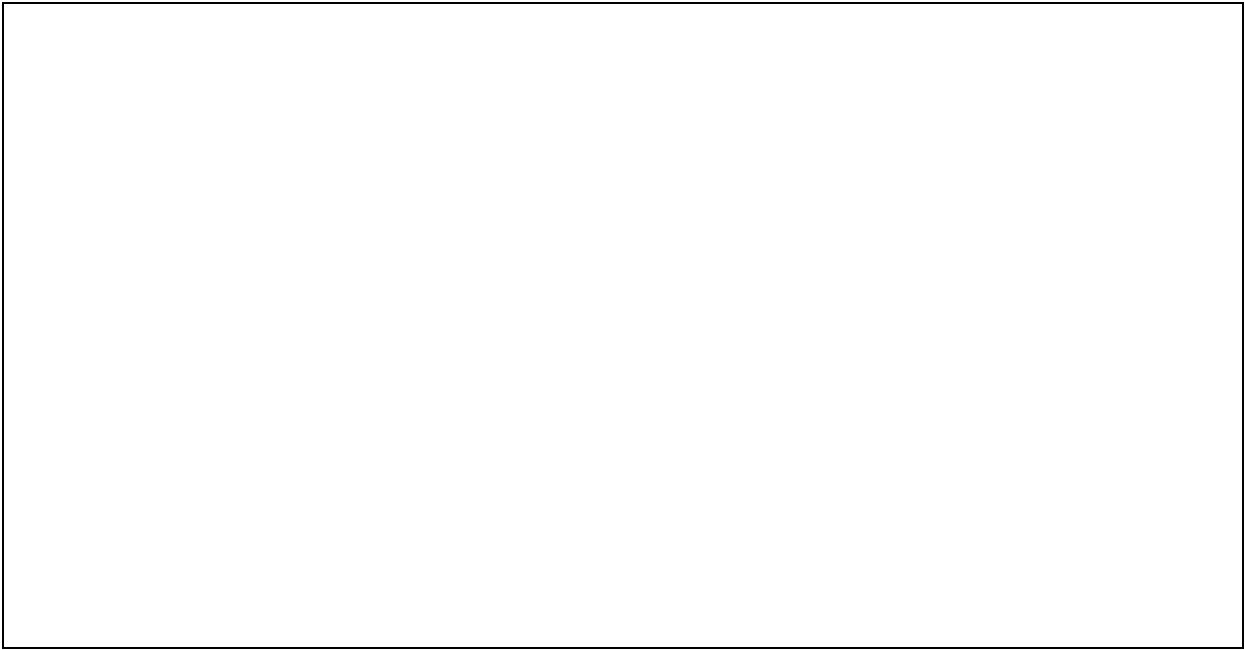
3

30000

200

0.67%

30000





1

SS

SS

100

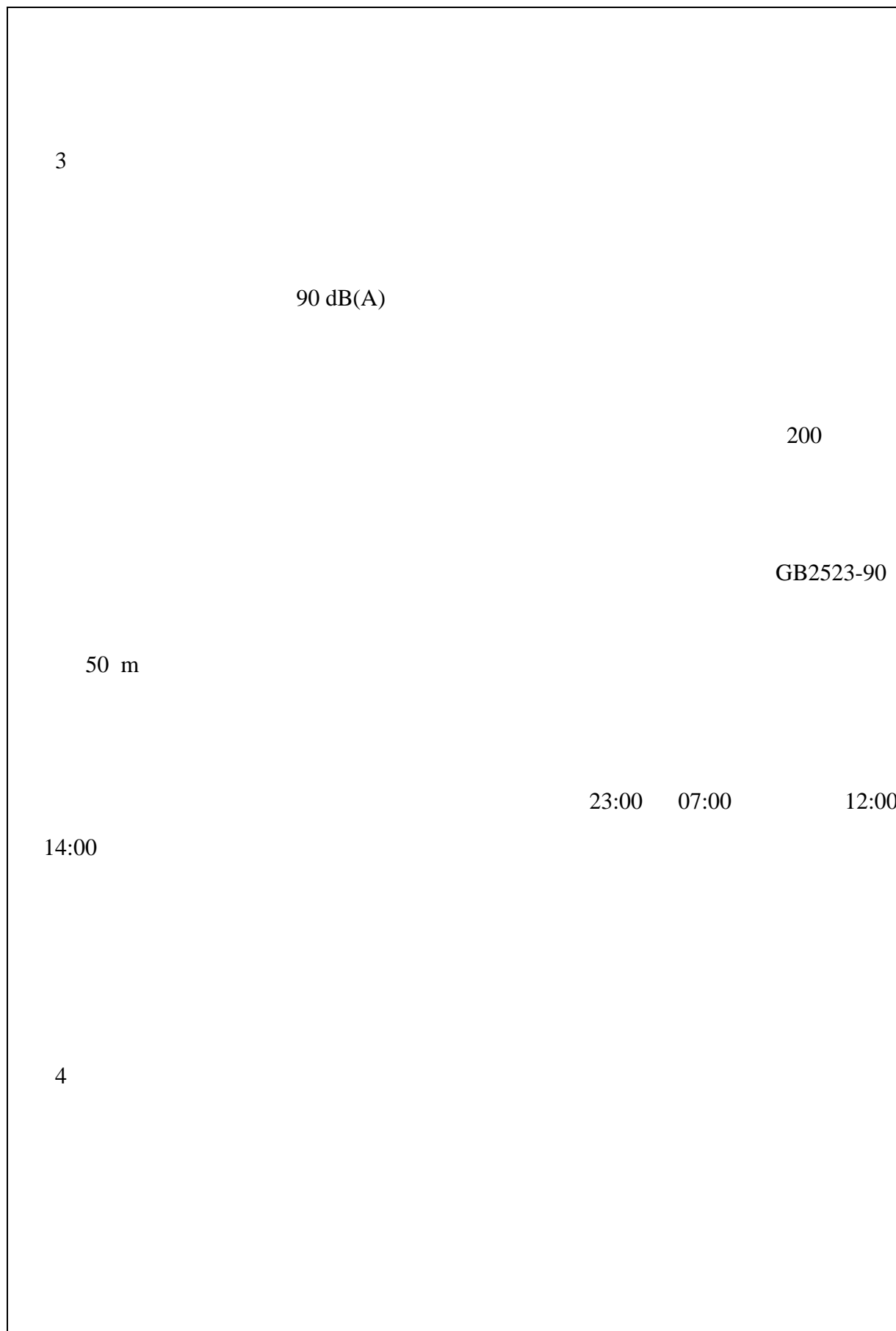
2

100m

TSP

0.12 0.79mg/m³

(4 5)



5

1

3000m³/a

2

3

1

5km/h

2

3

GB12348-2008 2

4

5

30m

(GB18352.3-2005)III

GB12523-90

GB12348-2008 2

2011	2					70106
		2011	3	7		
		[2011]		170		
1						
		GB12523-90				
2						
3						
GB16297-1996		2				
4						
				GB12348-2008	2	
5						
6						[1997]122
7						



5

5

5-1			
	1	1	
	2	2	
	3	3	
		4	
	GB2523-90		
	50 m		
	23:00 07:00 12:00		
	14:00		

5-2			
	1 5km/h 2 3	1 2 3	

7-1	
	1 2 3 4
	35%

	1	 <p>1</p>  <p>2</p>
		GB3096-2008 2

8-1

	/	/	/	/
	2016 9 19~30 / 4		PH	4 GB8978-1996 P 8-2)
	2016 9 20~21 / 2	1# 2# 3#		GB16297-1996 2 8-3
	2016 9 21	Z1 1 Z2 1 Z3 Z4 1 Z5 1 Z6 1		GB12348-2008 2 8-4)
	/	/	/	/

8-2

		PH				
2016.9.19		7.43	13	10	0.68	9.32
		7.47	12	10	0.70	9.82
		7.41	11	10	0.66	9.40
		7.51	11	10	0.67	9.53
		6~9	400	500	8	45
2016.9.20		7.09	15	10	0.73	9.52
		7.27	15	10	0.72	9.70
		7.48	12	10	0.71	9.72
		7.14	13	10	0.72	9.56
		6~9	400	500	8	45

2

SS

4

5

3

4

1

1

2 300

3

4

1

2

3

4

5

6

7

8